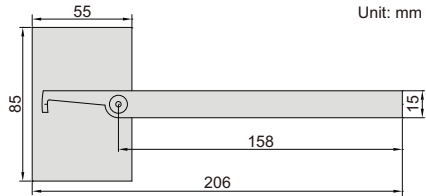
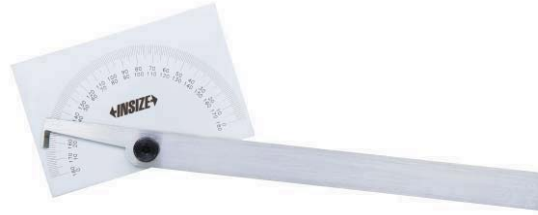


PROTRACTOR

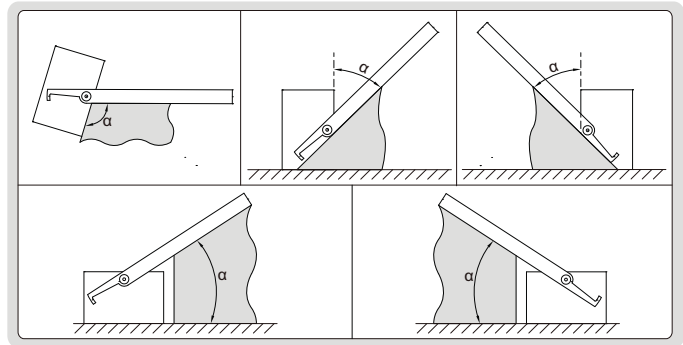


Unit: mm



4781-85A

- Made of stainless steel
- Satin chrome plated scale
- With clamping screw



Code	Size	Range	Graduation	Accuracy
4781-85A	85x158mm	0-180°	1°	±0.3°